

LUG TYPE BUTTERFLY VALVE

SPECIFICATION

FOR BS EN 1092-2 (BS4504) PN25 FLANGE MOUNTING
FACE-TO-FACE DIMENSION TO ISO 5752 / BS 5155 / BS EN 593
LEVER / WORM GEAR OPERATOR

PRESSURE / TEMPERATURE RATINGS

Working Pressure	25 bar
Testing Pressure	Shell: 1.5 times Seat: 1.1 times
Working Temperature	-20°C to 110°C (EPDM Seat) -10°C to 80°C (NBR Seat)
Suitable Media	Water & Oil

MATERIALS

Part	Material	BS EN *
Body	Ductile Iron	1563 GJS-400
Disc	Ductile Iron Aluminium Bronze Stainless Steel 304 Stainless Steel 316	1563 GJS-400-18 1982 CC491K 10283 GX5CrNi19-10 10283 GX5CrNiMo19-11-2
Seat Ring	EPDM NBR	
Shaft	Stainless Steel 431	10088-3 X17CrNi16-2
Taper Pins	Stainless Steel 316	10088-3 X5CrNiMo17-12-2
O-Ring	NBR	
Bushing	Resin	

*: Indicates the corresponding equivalent standard material for BS EN.

DIMENSIONS

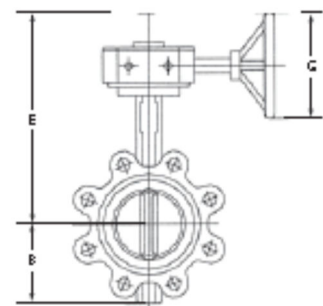
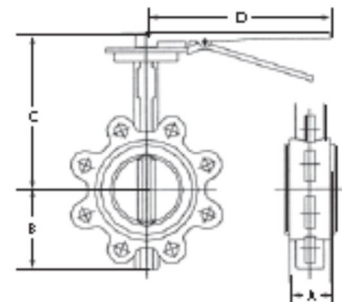
Unit: mm

Size	A	B	C	D	E	G
50	43	80	186	235	270	145
65	46	93	196	235	280	145
80	46	99	204	235	288	145
100	52	115	226	235	310	145
125	56	135	242	260	323	145
150	56	154	257	260	338	145
200	60	182	301	355	450	280
250	68	212	342	355	491	280
300	78	248	387	355	536	280
350	78	289	-	-	561	280

BFV-LB25

PN25

DN50~DN350



LUG TYPE BUTTERFLY VALVE

SPECIFICATION

FOR BS EN 1092-2 (BS4504) PN25 FLANGE MOUNTING
FACE-TO-FACE DIMENSION TO ISO 5752 / BS 5155 / BS EN 593
DOUBLE-STAGE WORM GEAR OPERATOR

PRESSURE / TEMPERATURE RATINGS

Working Pressure	25 bar
Testing Pressure	Shell: 1.5 times Seat: 1.1 times
Working Temperature	-20°C to 110°C (EPDM Seat) -10°C to 80°C (NBR Seat)
Suitable Media	Water & Oil

DIMENSIONS

Unit: mm

Size	A	B	E	F	G
400	102	328	680	260	280
450	114	358	724	260	280
500	127	393	759	260	280
600	154	445	888	300	385

Note:

1. Actuator mounting flange conforms to ISO 5211 drilling.
2. The butterfly valve can be supplied with electric actuator.
3. Micro switch / limit switch box are available upon request.
4. Others flange standard available upon request.
5. Design and specifications are subject to change without prior notice.

BFV-LB25

PN25

DN400~DN600

